

## Inline Series 6000

Labeling System

The Label-Aire<sup>®</sup> **Inline Series 6000** labeling system is designed to be very easy to configure while also making labeling easier and faster... making you more profitable.

The Inline Series 6000's long list of optional features allows you to easily build a system to meet your specific labeling requirements. Need a simple wrap conveyor system? Or instead, a high-speed front/back system with dual feedscrews and a top trap hold down? With the Inline Series 6000, you can have it your way.

The versatile Inline 6000 is an open frame labeling system that can be outfitted with Label-Aire's full range of New Generation 3100 Series applicators (wipe-on, air-blow, or tamp-blow) and features a delrin chain conveyor in lengths of 6 feet to 12 feet (1,829 mm to 3,658 mm) with a choice of 4.5 inch (114 mm) or 6.0 inch (152 mm) conveyor widths.

The 6000's options include extruded aluminum or stainless steel side plates, speeds up to 1,200 inches (3,048 cm) per minute with the optional Variable Frequency Drive (VFD), user-friendly digital/PLC controls, top trap hold down, single or dual feedscrews with soft start, powered or non-powered impressors for secondary wipe down, metering wheel to aid in product separation, Automatic Speed Following (ASF) for product surface profiling, chain aligner, squeegee wipe-downs, and wrap belt.

Put the latest in modular labeling technology to work for you all day, every day. The Inline Series 6000 is built to meticulous quality standards and designed to meet your most difficult labeling requirements.

Inline Series 6000

# Inline Series 6000 Specifications

## Dimensions:

Height: 63.9" (1,623 mm)  
 Length: 120" (3,048 mm)  
 Width: 84.8" (2,154 mm)

## Weight:

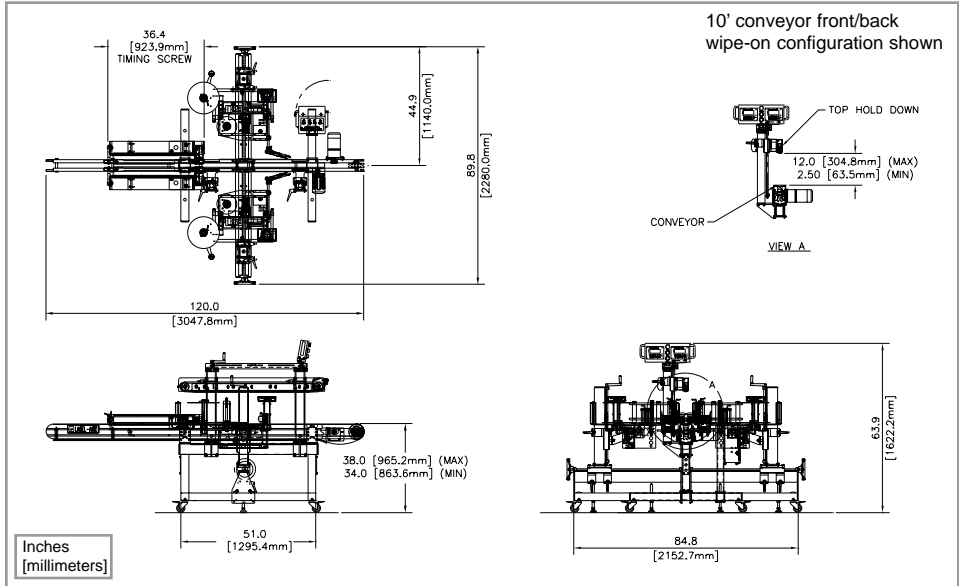
Approx. 1,000 lbs. (454 kg)

## Electrical:

120 Volts AC 60 Hz 20 Amps.  
 220 Volts AC 50 Hz optional (CE)

## Air:

4 cfm at 90 psi to 100 psi  
 required for air-blow and  
 tamp-blow applications



	6' End-to-end	8' End-to-end	10' End-to-end	12' End-to-end
<b>Conveyor:</b> Length	(Wrap only) 4.5" or 6.0"	(Front/Back or Wrap) 4.5" or 6.0"	(Front/Back and/or Wrap) 4.5" or 6.0"	(Front/Back and/or Wrap) 4.5" or 6.0"
Width (Extrud. Alum. or SS Side Plates)	36" ± 2"	36" ± 2"	36" ± 2"	36" ± 2"
Height				
<b>Main Drive:</b> Line speed	DC Motor Up to 1000"/min.	VFD Up to 1200"/min	VFD/PLC Up to 1200"/min	VFD/PLC Up to 1200"/min
<b>Applicator:</b>	Label-Aire 3100 Series Primary Applicators	Label-Aire 3100 Series Primary Applicators	Label-Aire 3100 Series Primary Applicators	Label-Aire 3100 Series Primary Applicators
<b>Operator Interface:</b> Control	Electronic Box/ Applicators Analog	Electronic Box/ Revolving Dual Keypad Digital/PLC	Electronic Box/ Revolving Dual Keypad Digital/PLC	Electronic Box/ Revolving Dual Keypad Digital/PLC
<b>Top Hold Down:</b> Vertical Adjustment	N/A	~24", Linatex 12"	~24" or 50.5", Linatex 12"	~24" or 50.5", Linatex 12"
Belt Width	N/A	1"	1"	1"
Drive	N/A	VFD	VFD	VFD
<b>Feedscrew:</b> Length Options	N/A	Single or Dual 24.0"	Single or Dual 30.0"	Single or Dual 30.0"
Drive	N/A	VFD	VFD	VFD
Soft Start	N/A	Yes	Yes	Yes
<b>Metering Wheel (Optional):</b> Wheel Diameter	Single 6.0"	Single 6.0"	Single 6.0"	Single 6.0"
Drive	DC Motor	DC Motor	DC Motor	DC Motor
<b>ASF (Optional):</b>	N/A	Yes	Yes	Yes
<b>Chain Aligner (Optional):</b> Drive	N/A	DC Motor	DC Motor	DC Motor
<b>Wrap Belt (Optional):</b> Drive	(4.0" or 7.0") Wide x 12.0" Long DC Motor	(4.0" or 7.0") Wide x 12.0" Long VFD	(4.0" or 7.0") Wide x 12.0" Long VFD	(4.0" or 7.0") Wide x 12.0" Long VFD
<b>Secondary Impressors (Optional):</b> Powered Non-Powered	DC Speed Control Available	DC Speed Control Available	DC Speed Control Available	DC Speed Control Available

**Consult factory for additional options.**

ASF = Automatic Speed Following SS = Stainless Steel VFD = Variable Frequency Drive



### Distributed by:

U. S. TAPE & LABEL  
 2092 WESTPORT CENTER DRIVE  
 ST. LOUIS, MO 63146  
 (800) 569-1906

### Headquarters

550 Burning Tree Road  
 Fullerton, CA 92833 USA

o 714.441.0700  
 f 714.526.0300  
 e info@label-air.com  
 w www.label-air.com

### Europe

Sjaellandsvej 27A  
 DK-9500 Hobro, Denmark

o +45 9657 0063  
 f +45 9657 0064  
 e info@label-air.com  
 w www.label-air.com