

Model 3125



**3125 Wipe-On**

Primary Applicator

# Model 3125

The **Label-Aire® Model 3125** makes labeling easier and faster... making you more profitable.

The Model 3125 Wipe-On labeler delivers on its promise of speed, accuracy, and ease of use. And that translates into lower operating costs and increased productivity for your business.

Speeds up to 2,500 inches (6,350 cm) of web per minute make the Model 3125 an ideal choice for demanding applications requiring high speed and precision. Advanced features include Automatic Speed Following (ASF) which allows product surface profiling, ensuring wrinkle-free labeling on even the most difficult product shapes and label materials (optional encoder required). Zero Downtime Labeling allows your production to continue without costly interruptions. Product/label queuing and missing label compensation virtually eliminate unlabeled products or missing lot and expiration codes.

Put this high-speed wipe-on pressure-sensitive technology to work for you all day, every day. The Model 3125 Wipe-On labeler is built to meticulous quality standards and designed to withstand the most intense operation.

3125 Wipe-On Advanced Features	
<b>Automatic setup</b>	Includes multiple programmable label pages for easy changeovers to different label sizes.
<b>Stepper motor drive</b>	For precise starting / stopping, increased reliability, wider range speed variability, and lower maintenance.
<b>R3 digital display</b>	Select from five languages (English, French, German, Italian, Spanish), domestic or CE (European) configurations, standard/metric unit display and detailed alarm messages. Can rotate 360°.
<b>Automatic Speed Following (ASF)</b>	Labels are accurately applied even through extreme changes in product line speed.
<b>Quick-action collapsible rewind</b>	Allows easy removal of scrap liner.

Quick-action collapsible

High-Speed  
powered

beverage, cd / dvd, coupon / promotional, dairy, direct mail, durable goods, food, health & beauty, nutraceutical, pharmaceutical, tamper-evident labeling



R3 digital display

Automatic setup

Intelligent controller

Loop box



Visible rewind

Speed, High-Torque VFD  
and unwind

Advanced Automatic  
Speed Following

Standard dispense speeds up to  
2,500" (6,350 cm) per minute

Label placement accuracy  
up to +/- 1/64" (.4 mm)

Wipe-on applicator available  
left- or right-hand configurations

# 3125 Wipe-On Specifications

## Dimensions:

Height: 33.95" (862.4 mm)  
 Length: 36.54" (928.03 mm)  
 Width: 26.61" (675.93 mm)

## Weight:

160 lbs. (73.6 kg)

## Standard Label Dimensions:

Max. Web Width: 7.13" (181 mm)  
 Min. Web Width: 1" (25 mm)  
 Min. Label Length: .5" (13 mm)

## Label Packaging:

16" (406 mm) O.D. rolls std. on  
 3" (76 mm) I.D. cores with  
 optional 6" (152 mm) core adapters

## Dispense Speed:

2,500" (6,350 cm) of web per minute

## Label Placement Accuracy:

Up to +/- 1/64" (.4 mm)

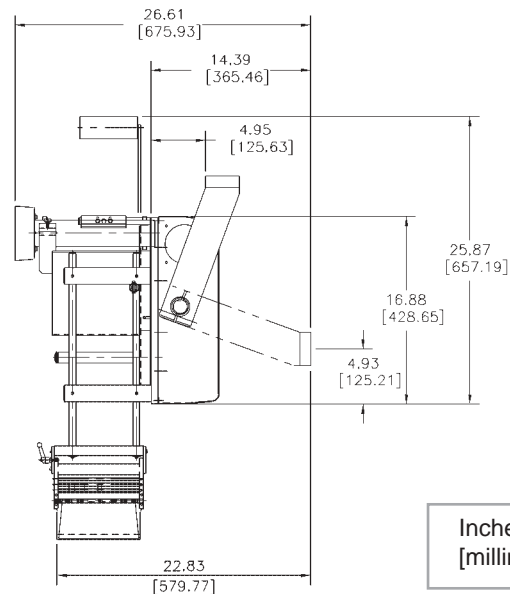
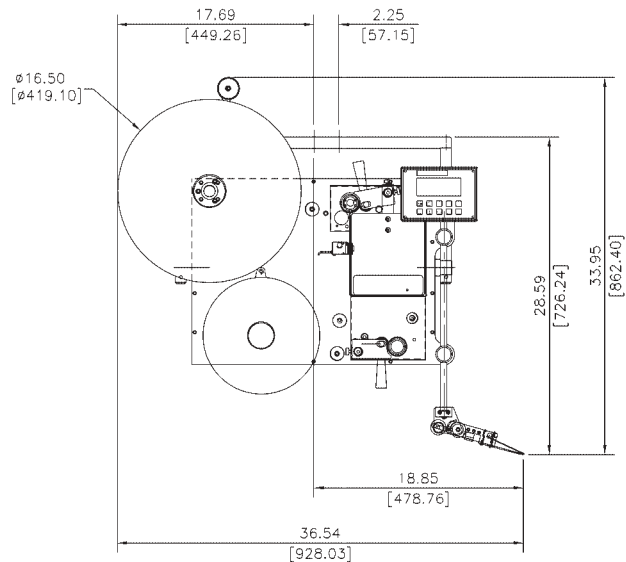
## Electrical:

115 Volts AC 60 Hz 3 Amps.  
 220 Volts AC 50 Hz optional

## Options:

6" (152 mm) label core adapter  
 Encoder kit for Automatic  
 Speed Following  
 Strobe signals for "low label" and  
 "out of labels"  
 Clear label sensor upgrade  
 Hot stamp imprinter  
 Display tilt mounting brackets  
 Model 2700 T-Base stand

*Consult factory for additional options.*



Inches  
[millimeters]



### Distributed by:

U. S. TAPE & LABEL  
 2092 WESTPORT CENTER DRIVE  
 ST. LOUIS, MO 63146  
 (800) 569-1906

### Headquarters

550 Burning Tree Road  
 Fullerton, CA 92833 USA

o 714.441.0700  
 f 714.526.0300  
 e info@label-aire.com  
 w www.label-aire.com

### Europe

Sjaellandsvej 27A  
 DK-9500 Hobro, Denmark

o +45 9657 0063  
 f +45 9657 0064  
 e info@label-aire.com  
 w www.label-aire.com